

Rotary Switch (RSL-1 Series)

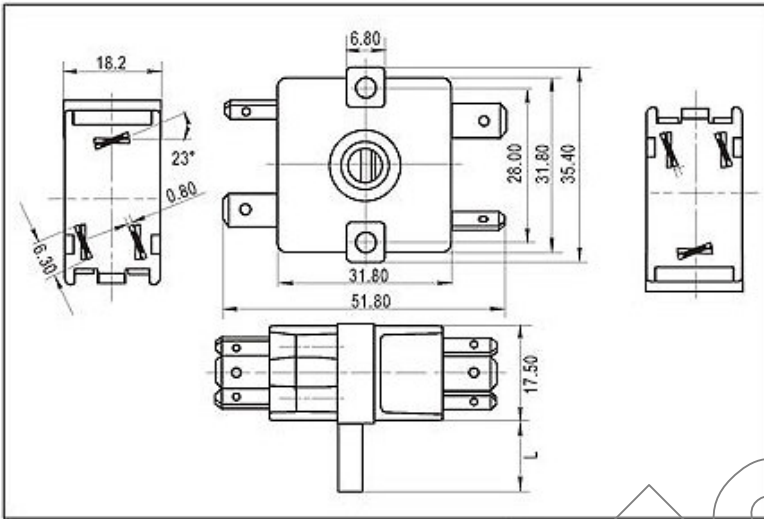


SPECIFICATIONS

16A 250VAC T125/55 1E4

16A 125VAC T105

ROHS Compliance



EXPLANATION MODEL NUMBER
RSL-1-D-04-BK-P1-L1

Circuit Options:

Position	Circuit	Color Cap/Housing	Terminal	Handle Lenth
B 2	01	BK Black	 (P1)	L1 11mm
C 3	02	WT White		L2 12.5mm
D 4	03	GE Grey		L3 23mm
E 5	04	BR Brown		
F 6	05			
	06			
	07			